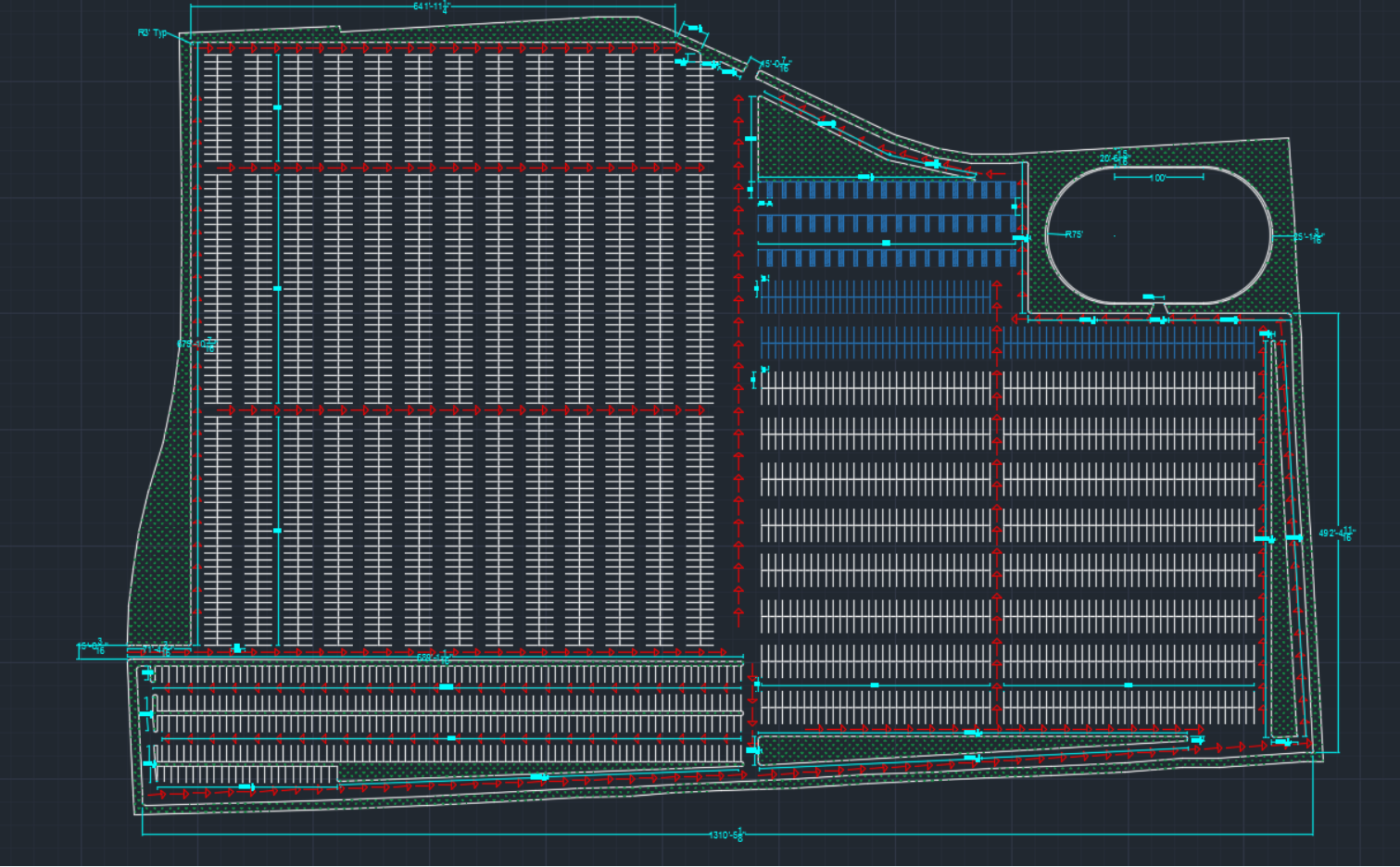


Elijah Hon



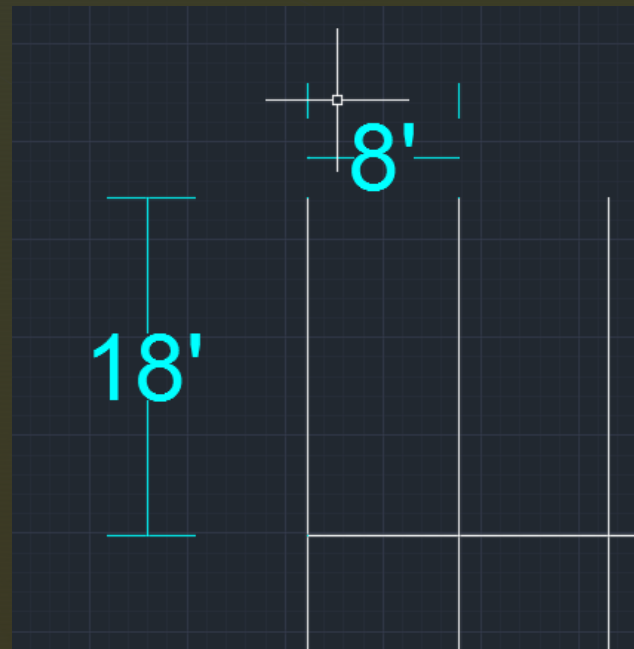
Civil Engineering Project

Parking Lot

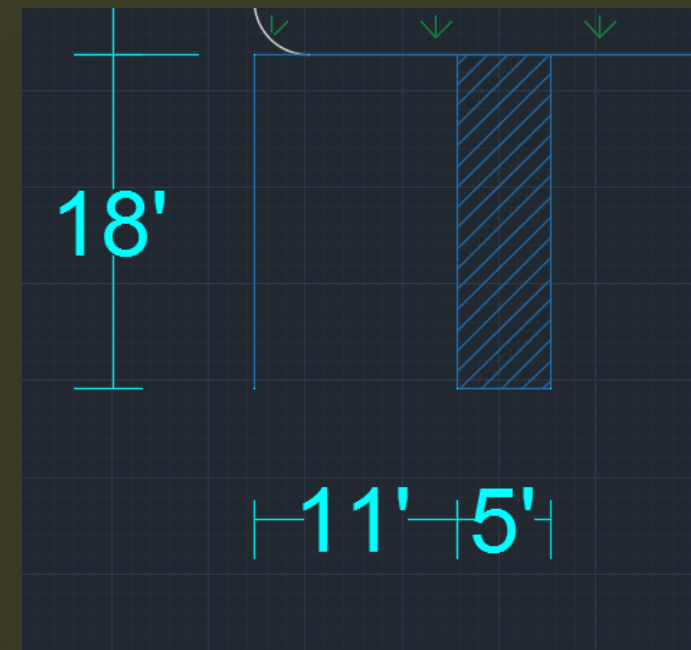


Parking Lot Dimensions

Regular/Handicap Parking



Handicap Van Parking



Pros Vs Cons

Pros

- A lot of parking space (3,657)
- Handicap parking (250)
- Fluid traffic
- Simple
- effective

Cons

- Could miss parking spots due to one way traffic
- Facility in inconvenient spot for most
- Traffic jams due to one way traffic



What I learned:

- Civil Engineering requires a lot of patience for tedious work.
 - Make enough room for traffic to go both ways
 - Add handicap parking in convenient locations and don't overdo it
- 