

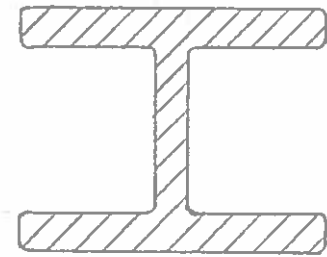
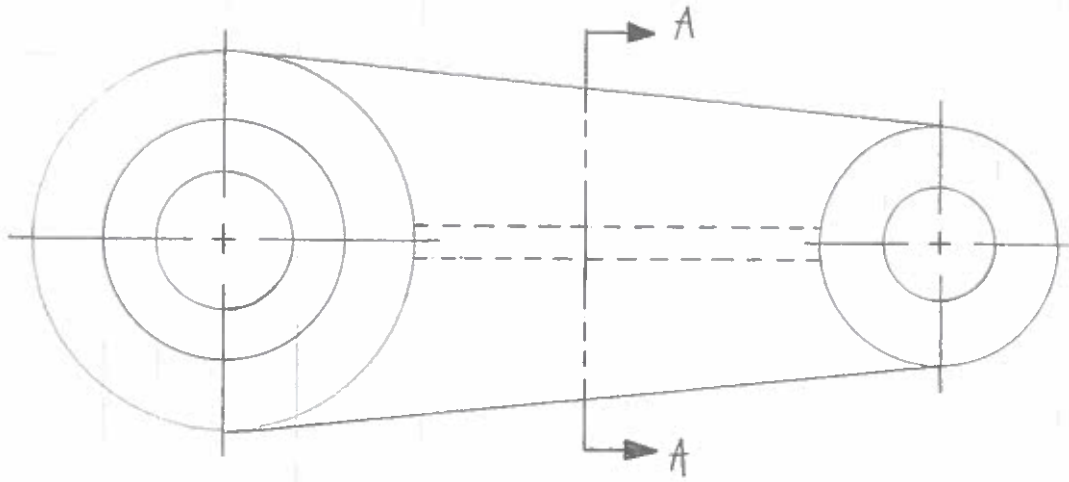
9/9

22 Nov 13

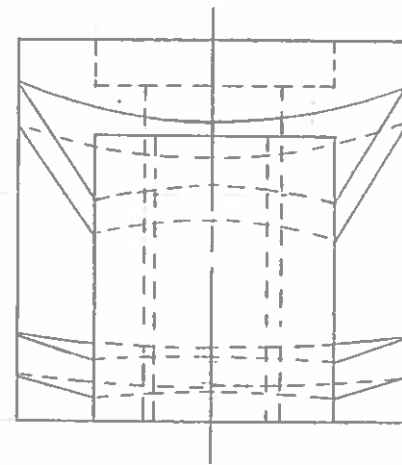
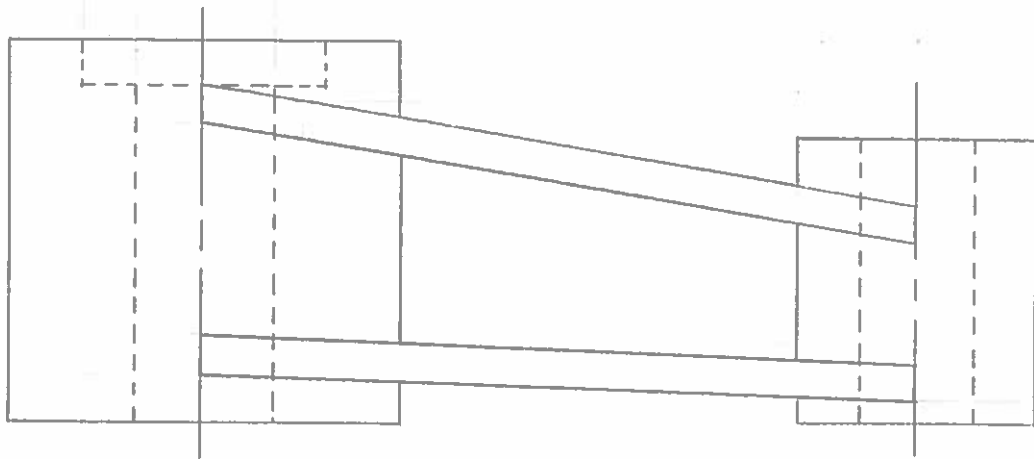
LAB 5-14

SCALE 1:1

MARI MARTIN



SECTION A-A



4/4

8 Nov 13

LAB 6-24

SCALE 1:1

Mari Marin