

Title: Gate 1-6B

Gate 1-6B

Designed by: Juddo Abaker

Document N:

Revision:

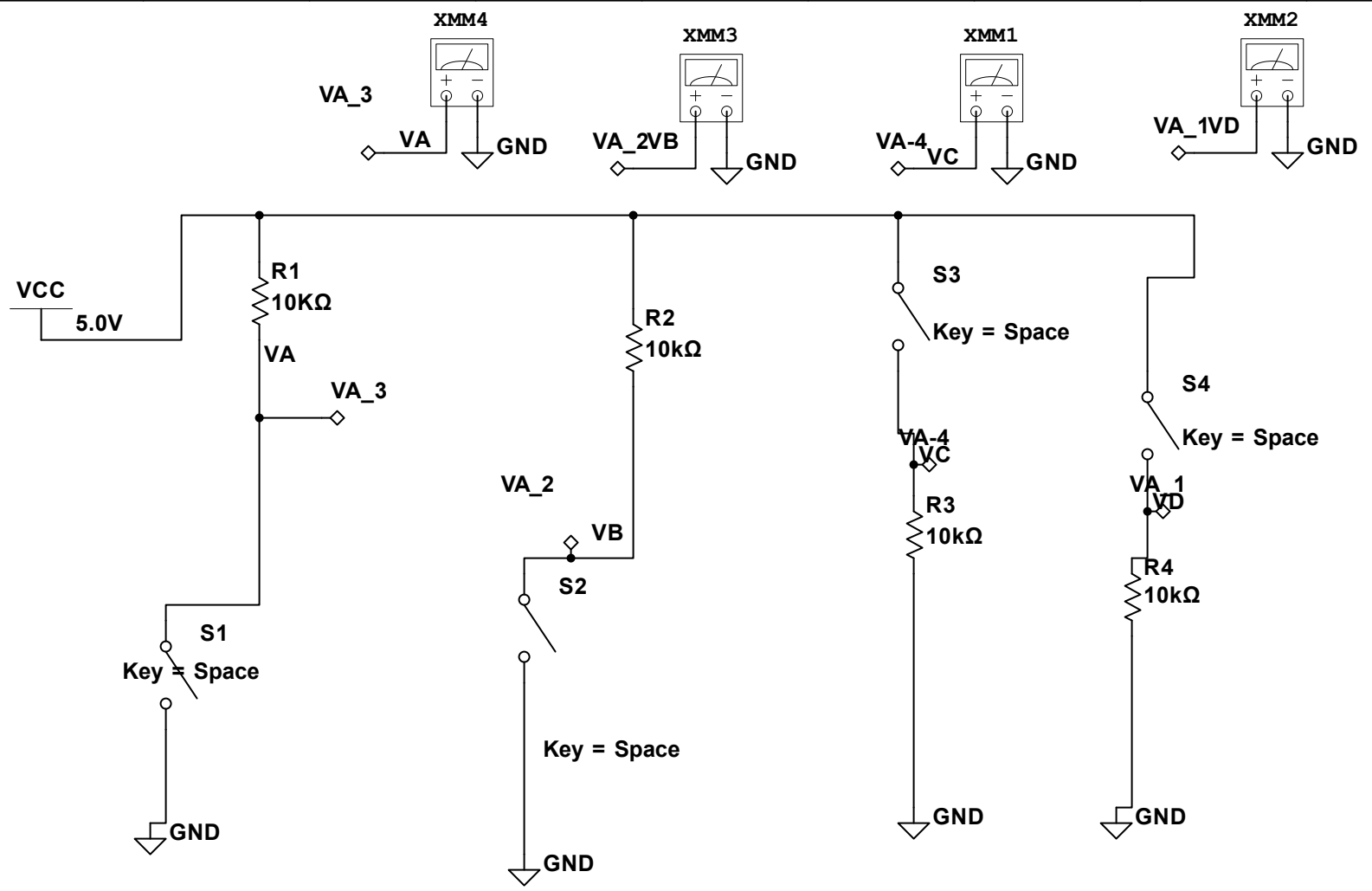
Checked by:

Date: 5/4/2018

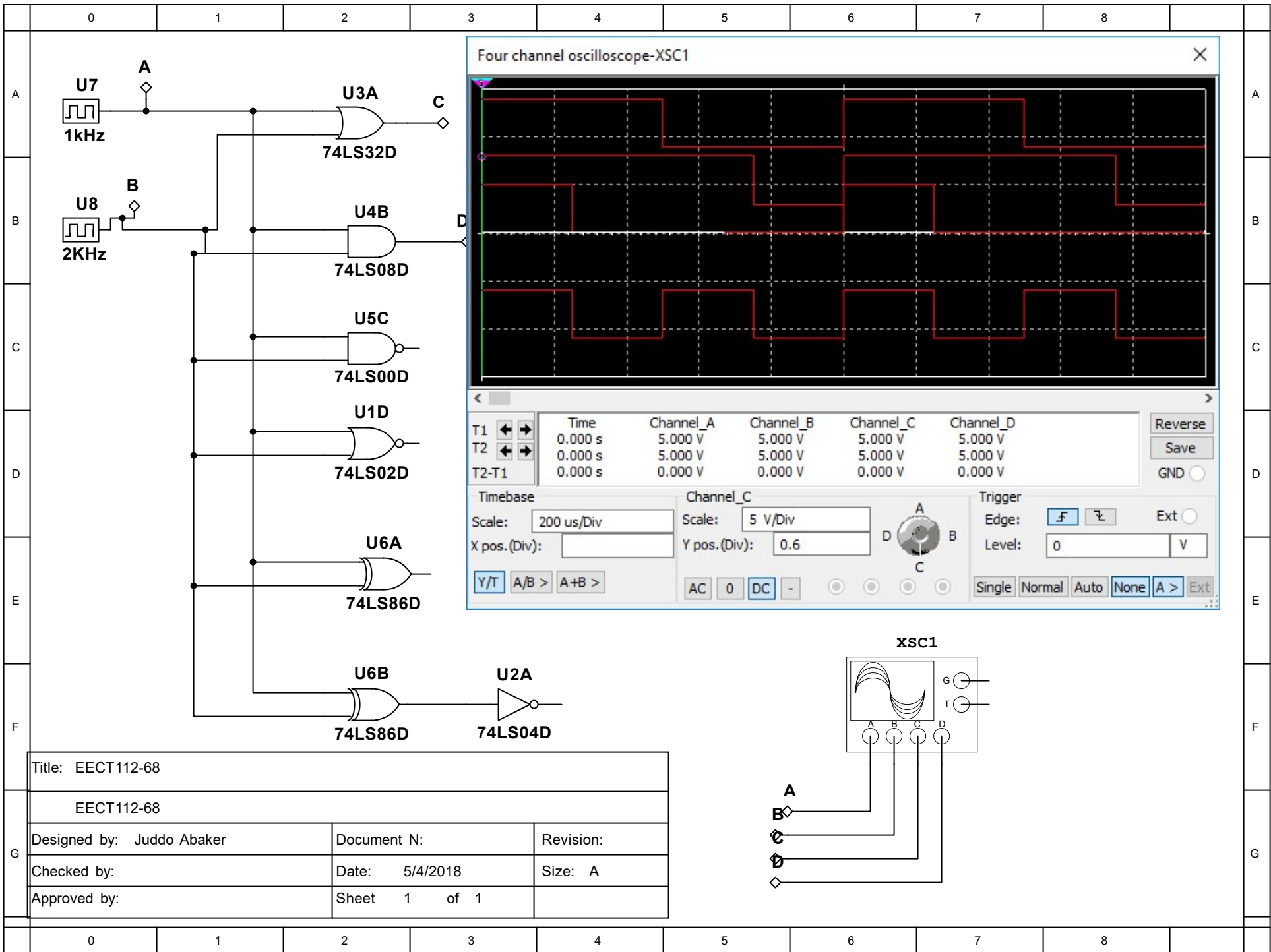
Size: A

Approved by:

Sheet 1 of 1



Title: EECT112Example2		
EECT112Example2		
Designed by: Juddo Abaker	Document N:	Revision:
Checked by:	Date: 5/4/2018	Size: A
Approved by:	Sheet 1 of 1	



Title: EECT112-68

EECT112-68

Designed by: Juddo Abaker

Document N:

Revision:

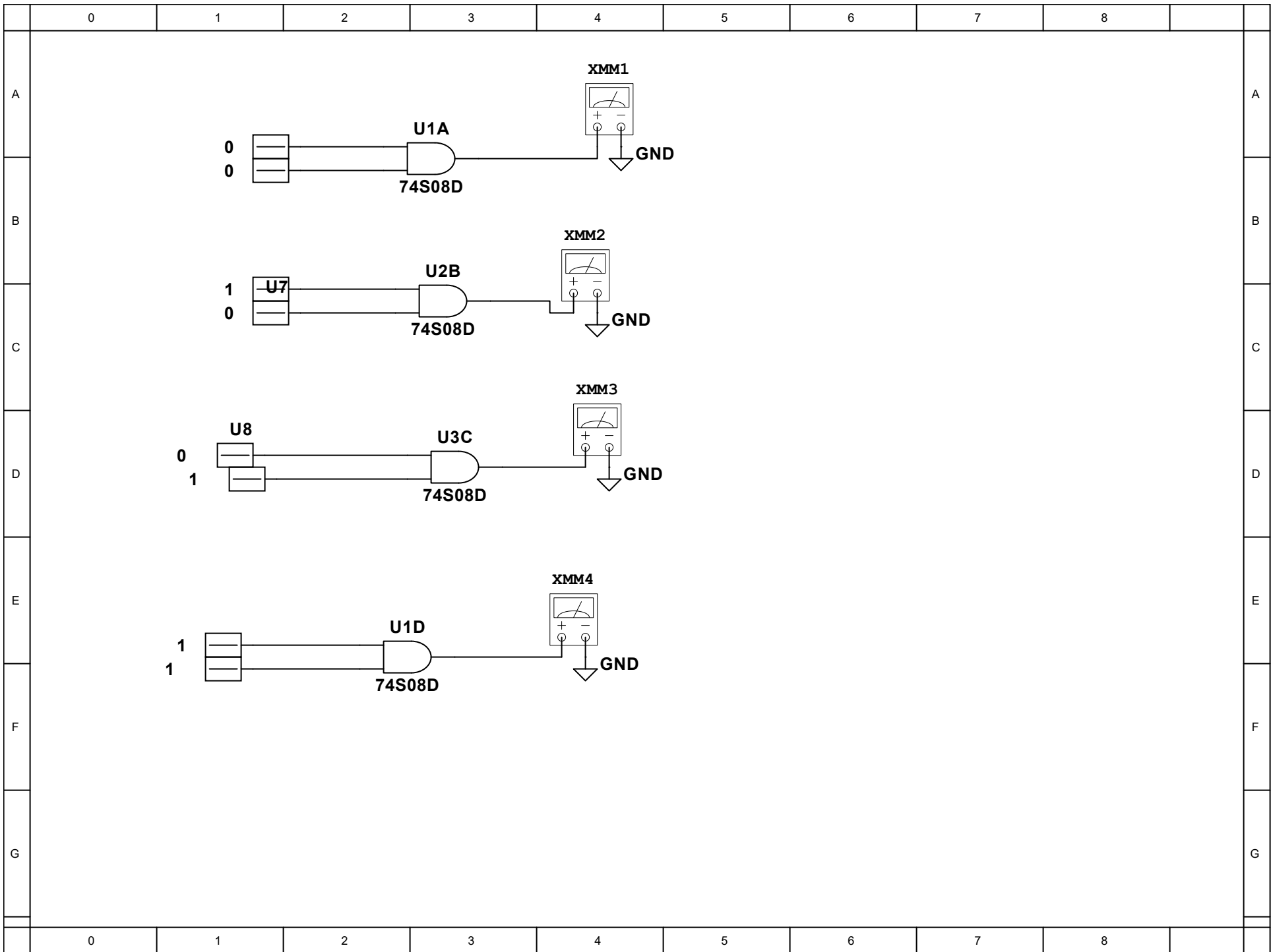
Checked by:

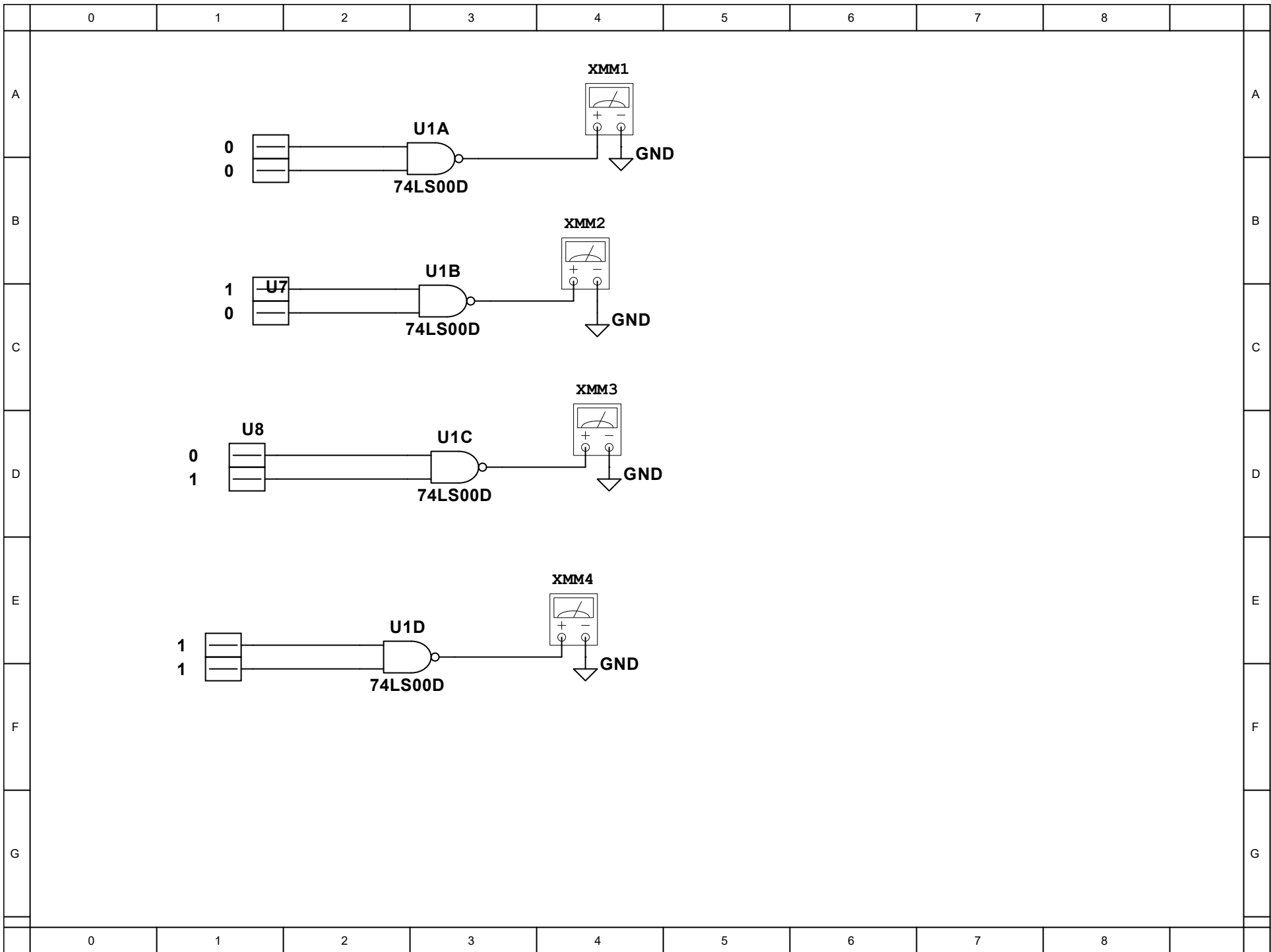
Date: 5/4/2018

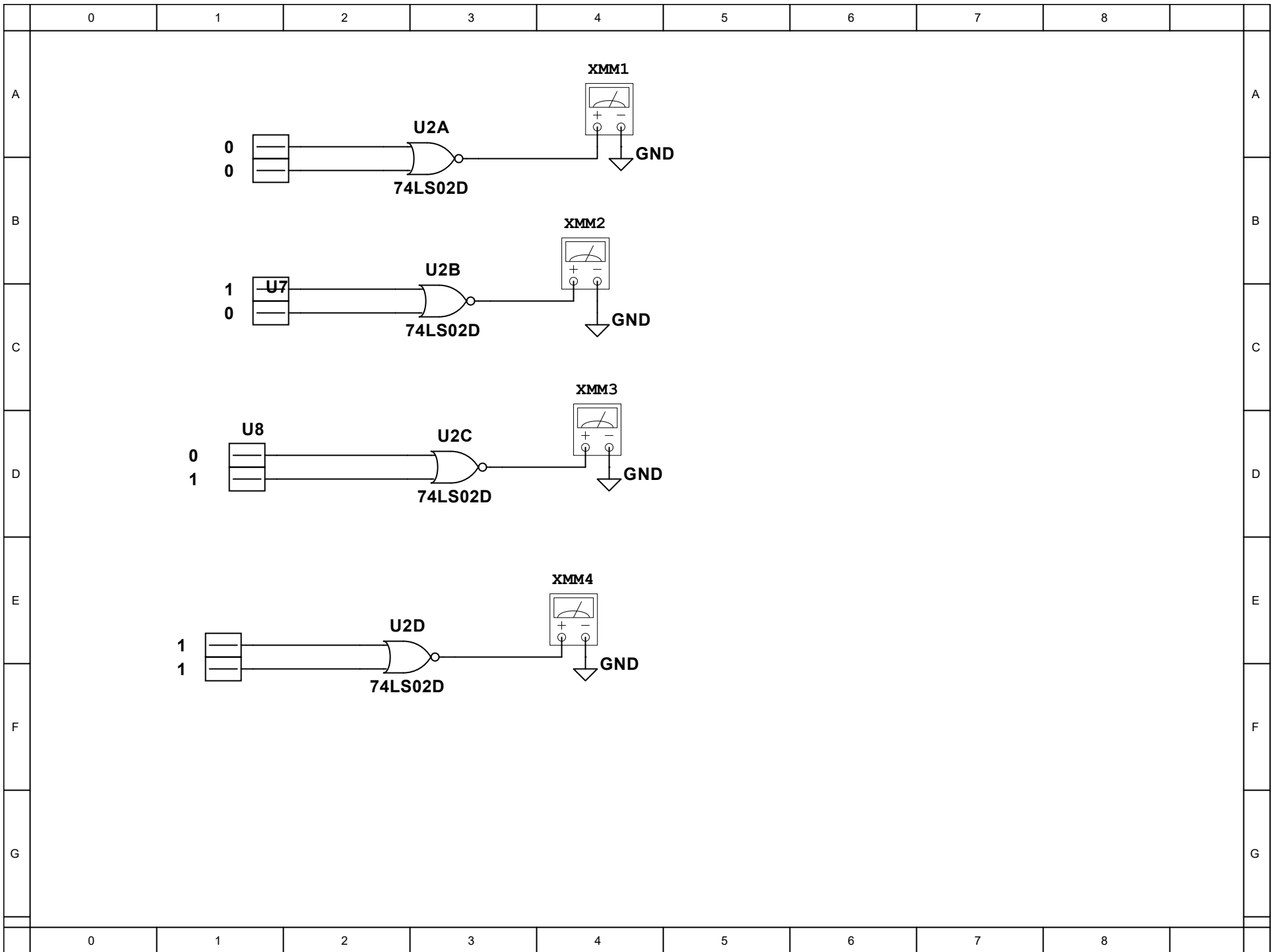
Size: A

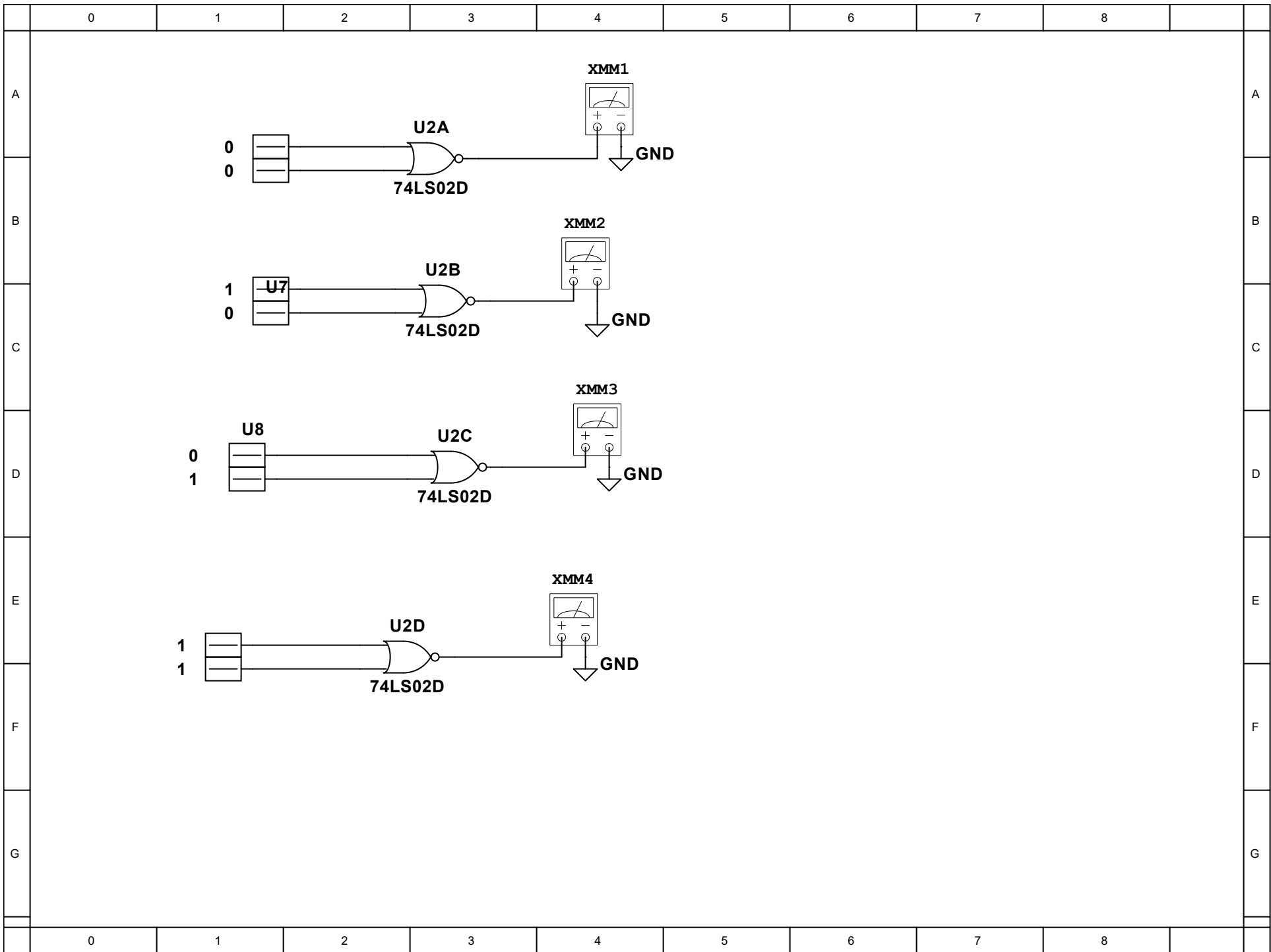
Approved by:

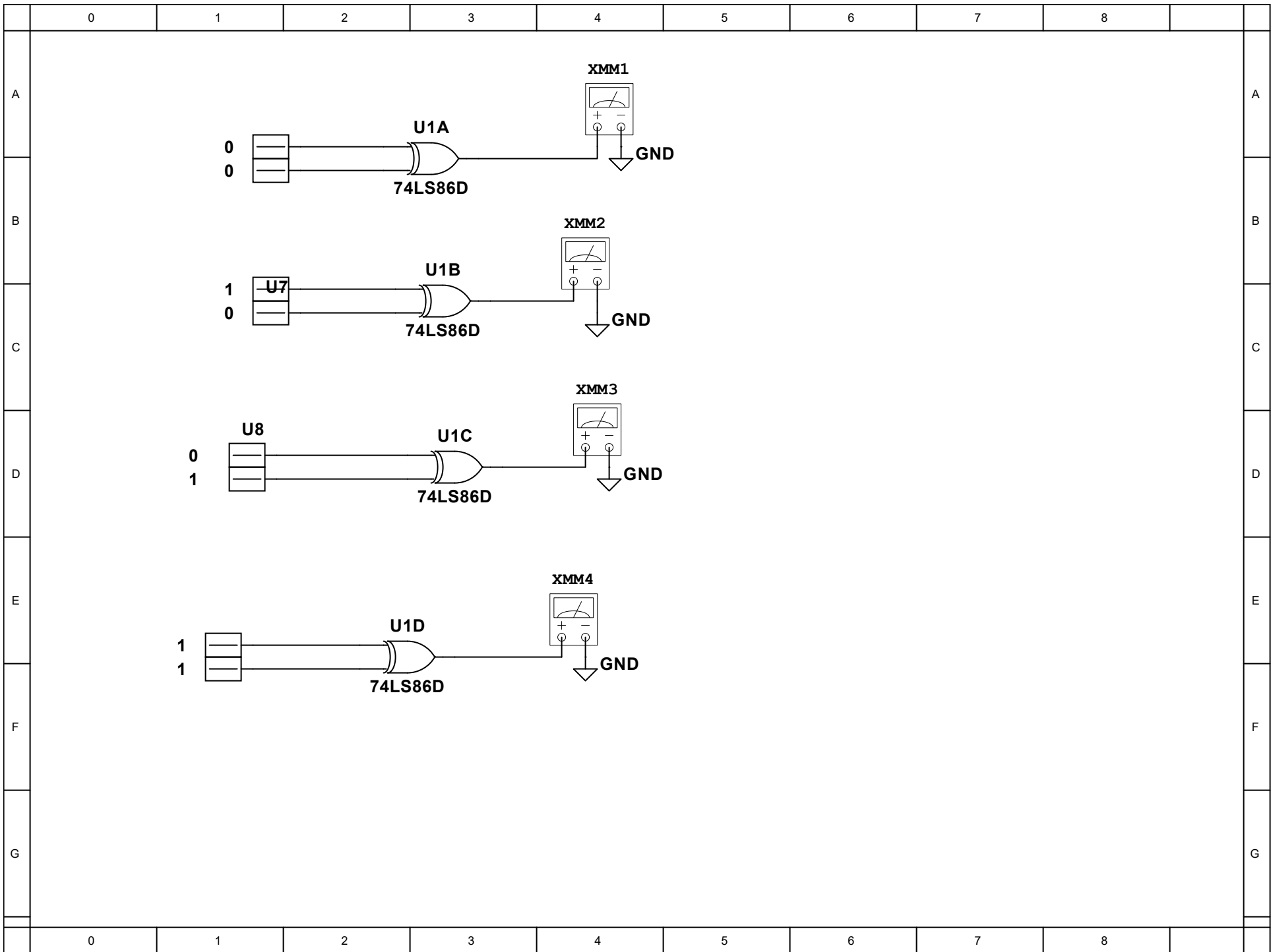
Sheet 1 of 1

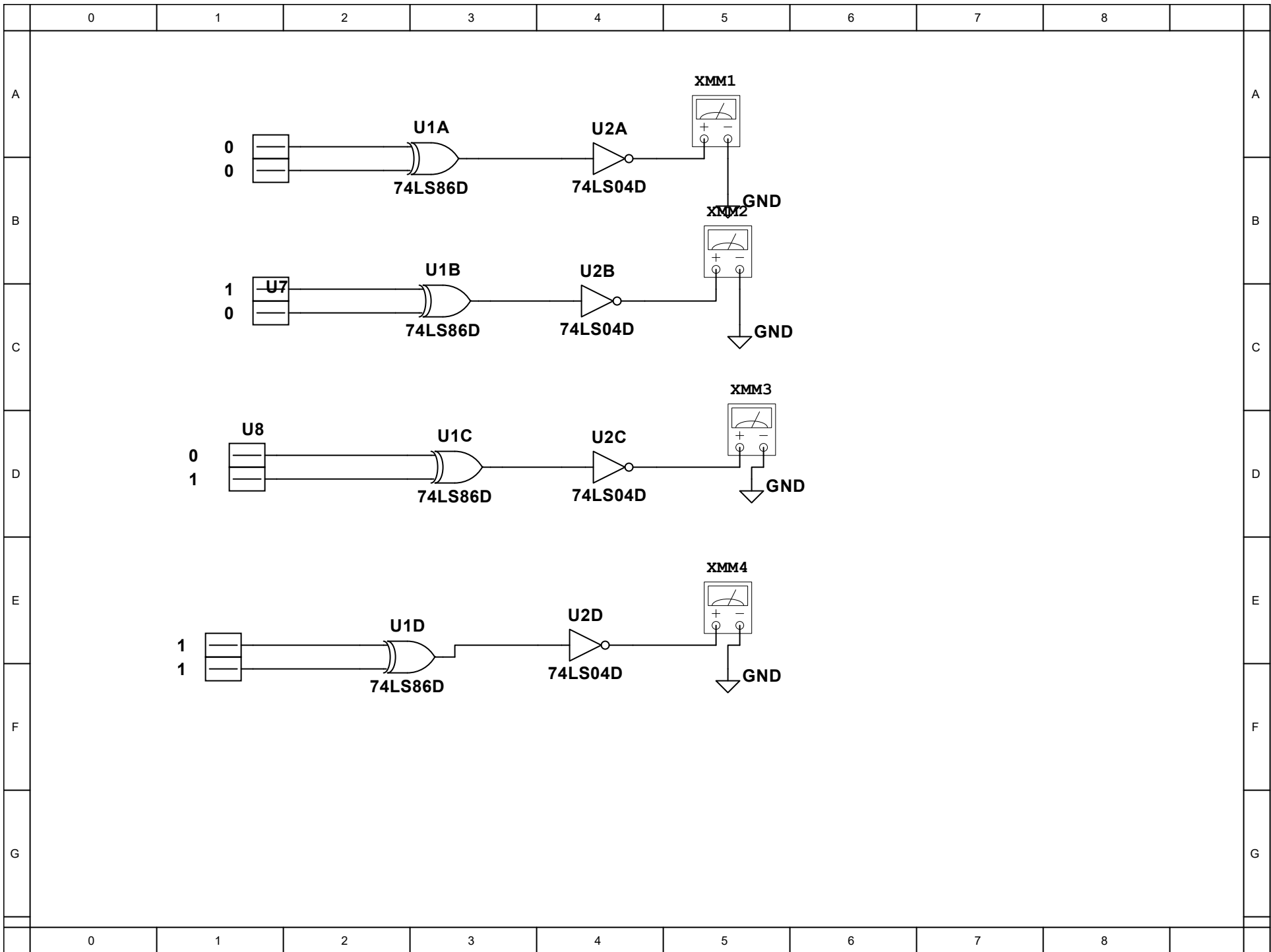


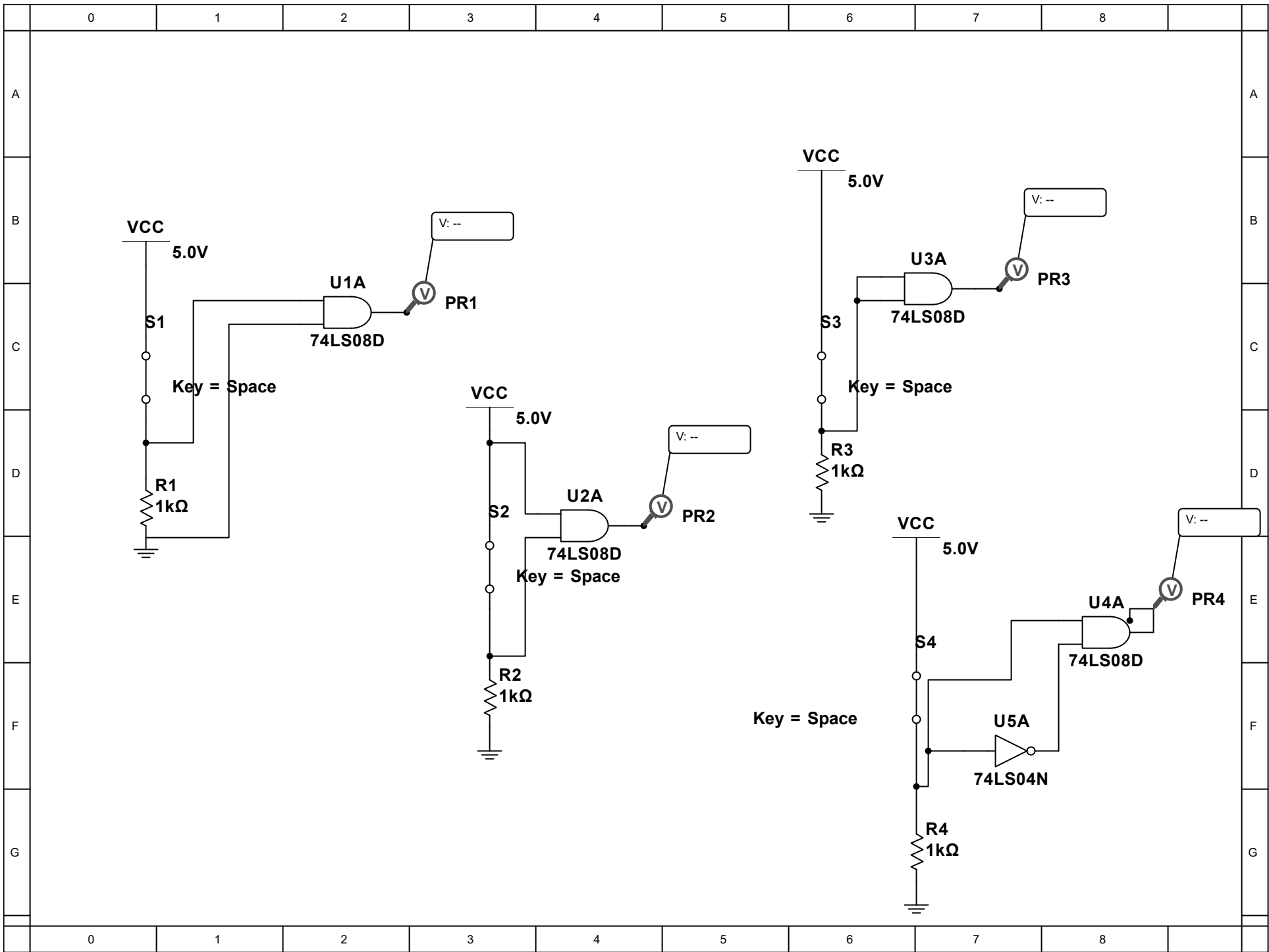


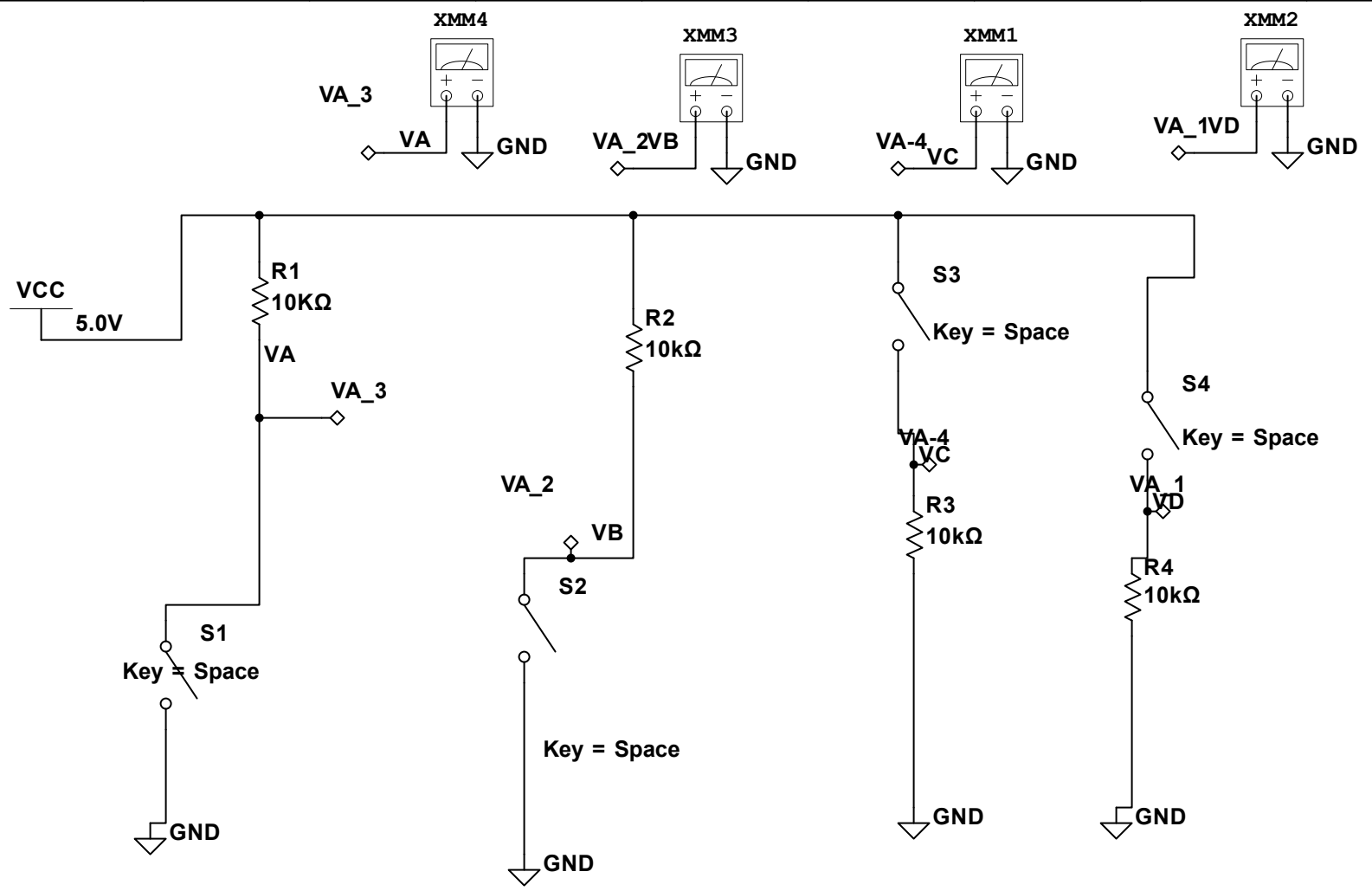




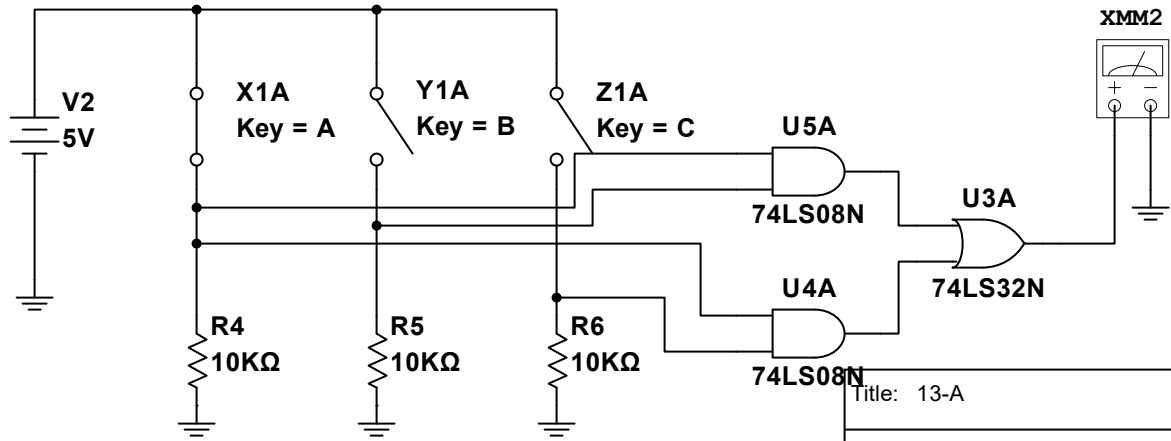
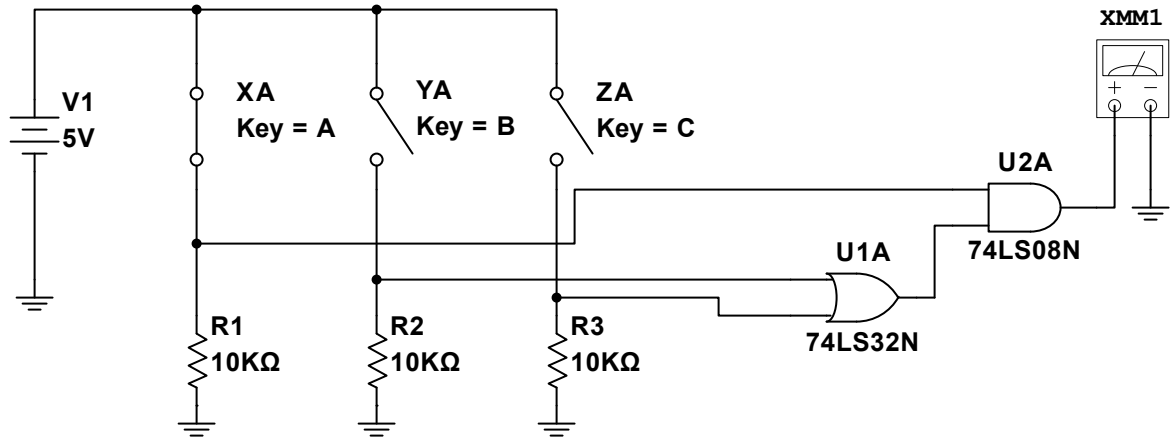




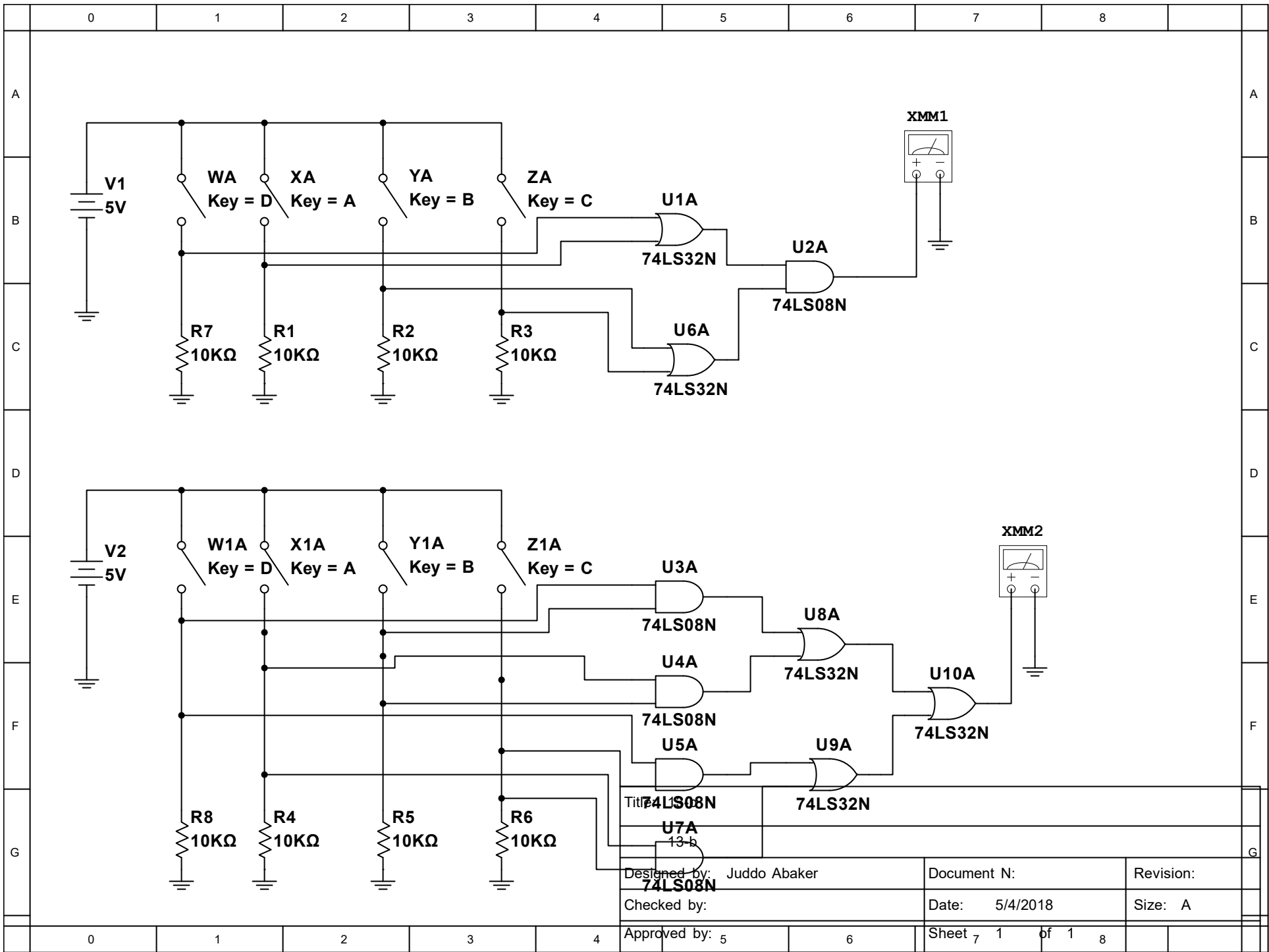




Title: EECT112Example2		
EECT112Example2		
Designed by: Juddo Abaker	Document N:	Revision:
Checked by:	Date: 5/4/2018	Size: A
Approved by:	Sheet 1 of 1	



Title: 13-A		
13-A		
Designed by: Juddo Abaker	Document N:	Revision:
Checked by:	Date: 5/4/2018	Size: A
Approved by:	Sheet 1 of 1	



Designed by: Juddo Abaker

Document N:

Revision:

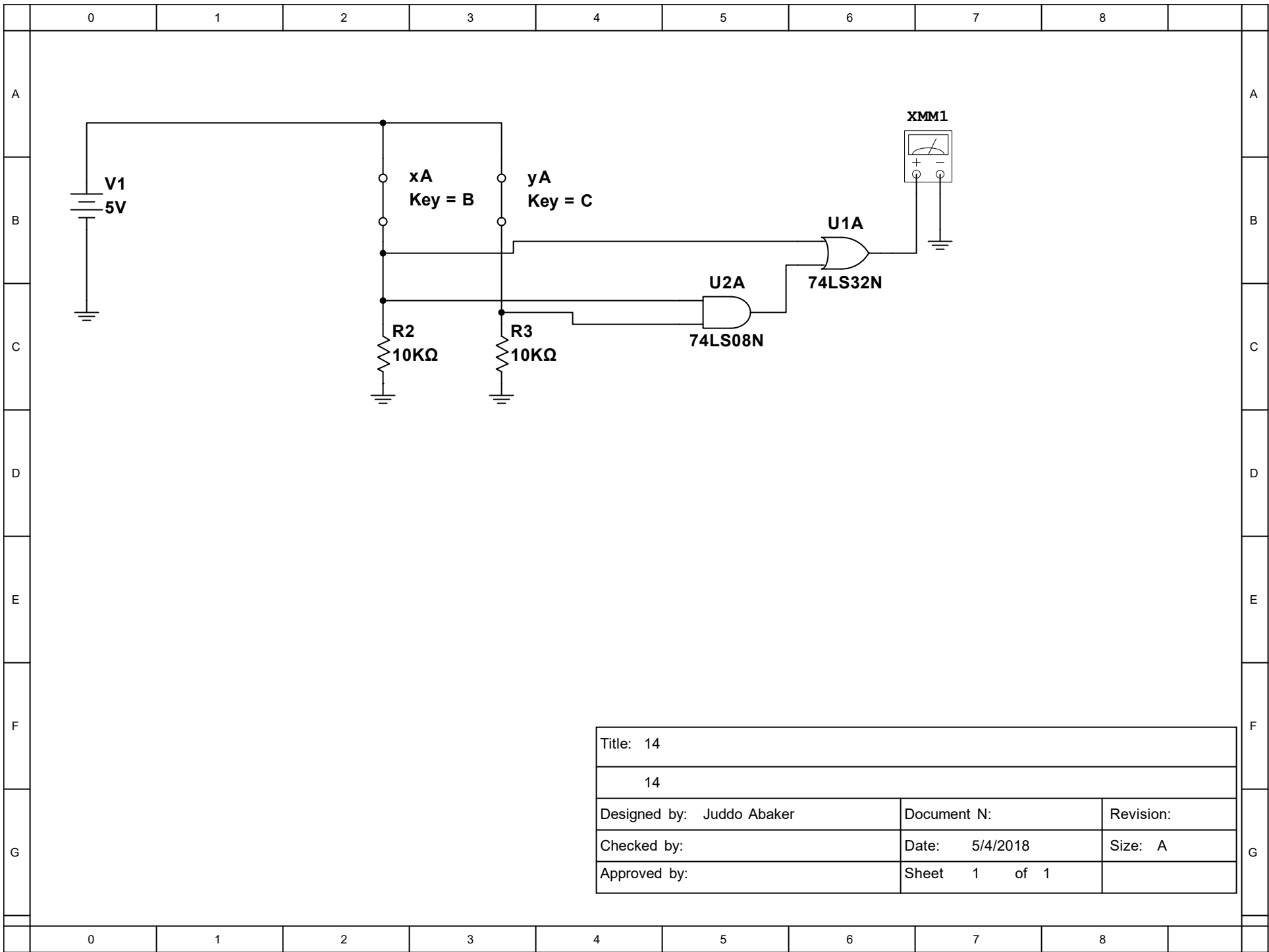
Checked by:

Date: 5/4/2018

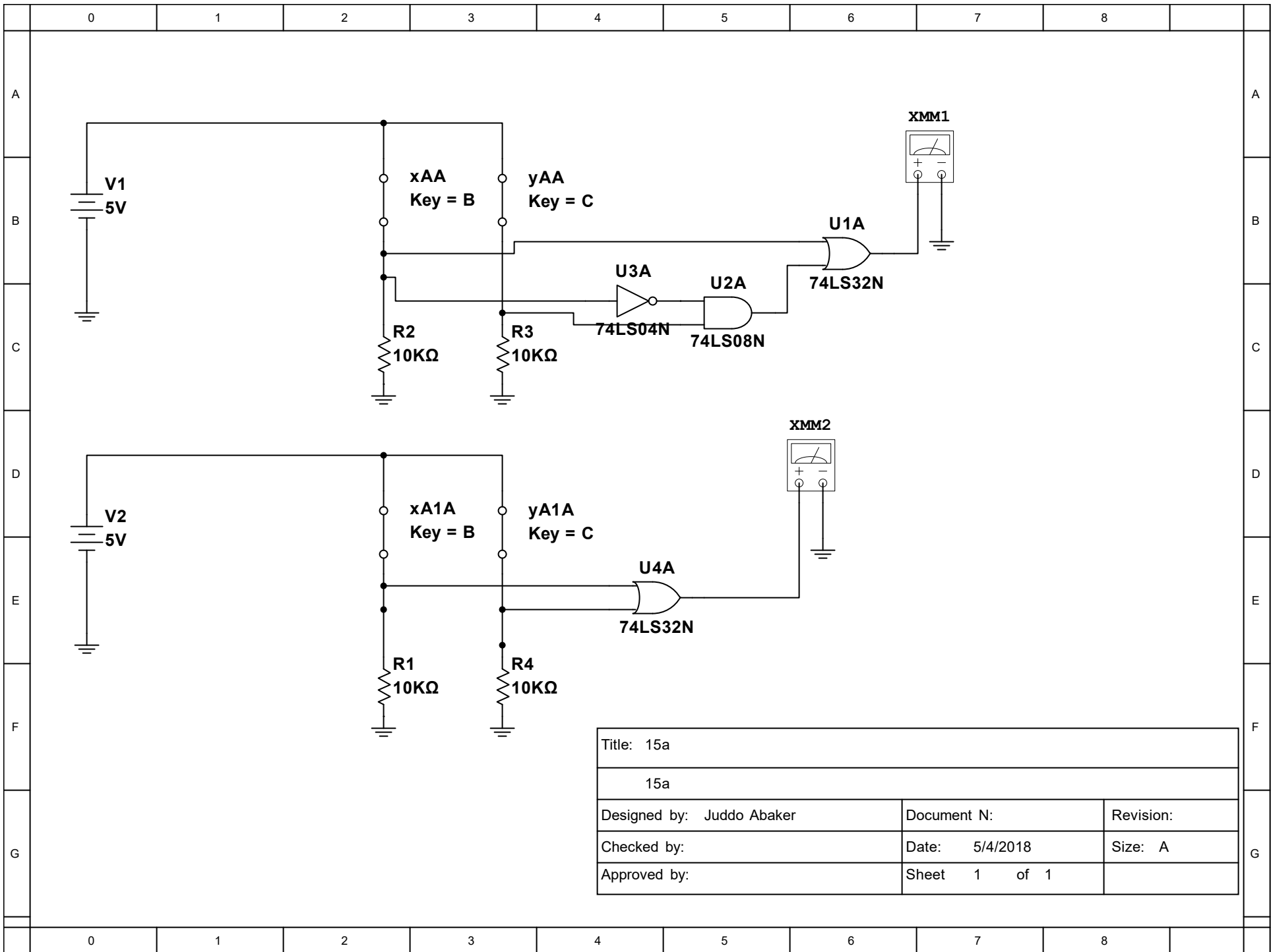
Size: A

Approved by: 5

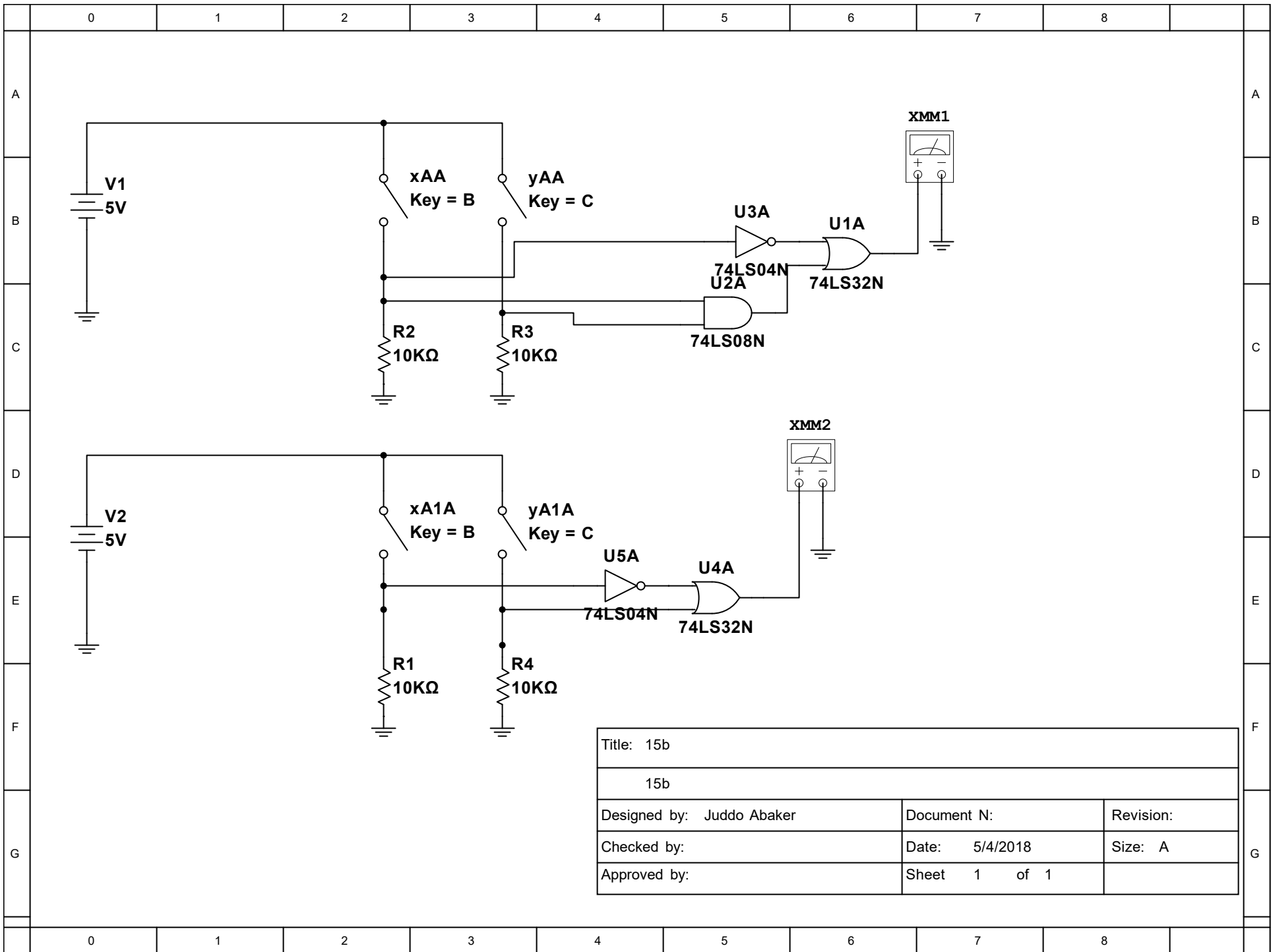
Sheet 7 1 of 1 8



Title: 14		
14		
Designed by: Juddo Abaker	Document N:	Revision:
Checked by:	Date: 5/4/2018	Size: A
Approved by:	Sheet 1 of 1	



Title: 15a		
15a		
Designed by: Juddo Abaker	Document N:	Revision:
Checked by:	Date: 5/4/2018	Size: A
Approved by:	Sheet 1 of 1	



Title: 15b		
15b		
Designed by: Juddo Abaker	Document N:	Revision:
Checked by:	Date: 5/4/2018	Size: A
Approved by:	Sheet 1 of 1	